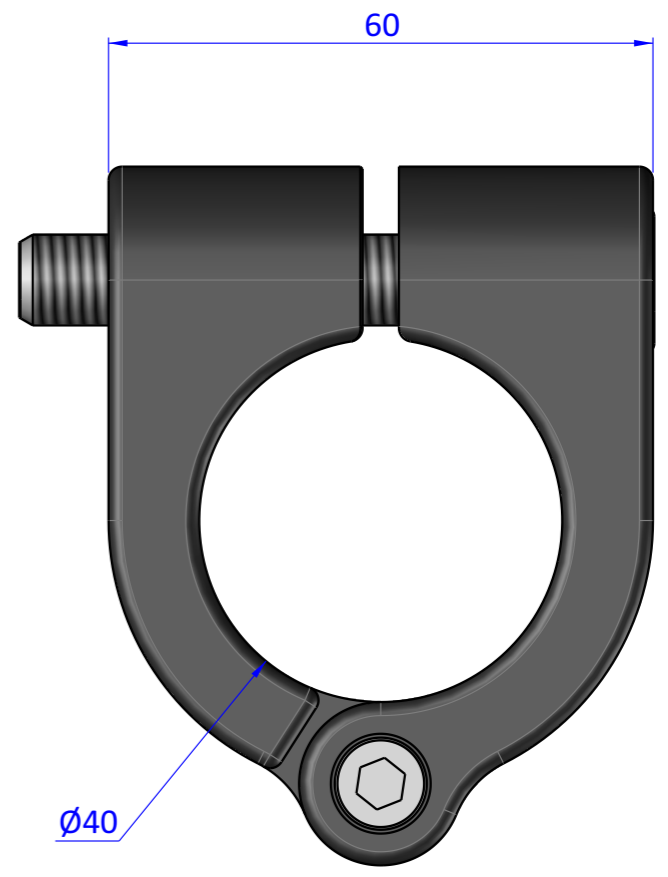
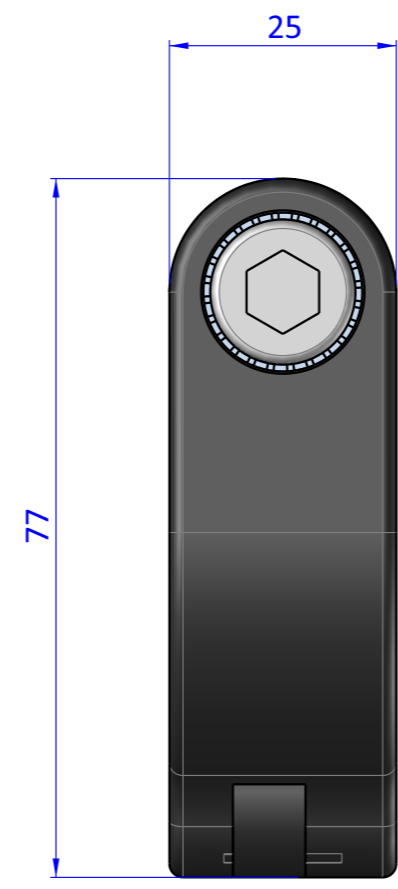
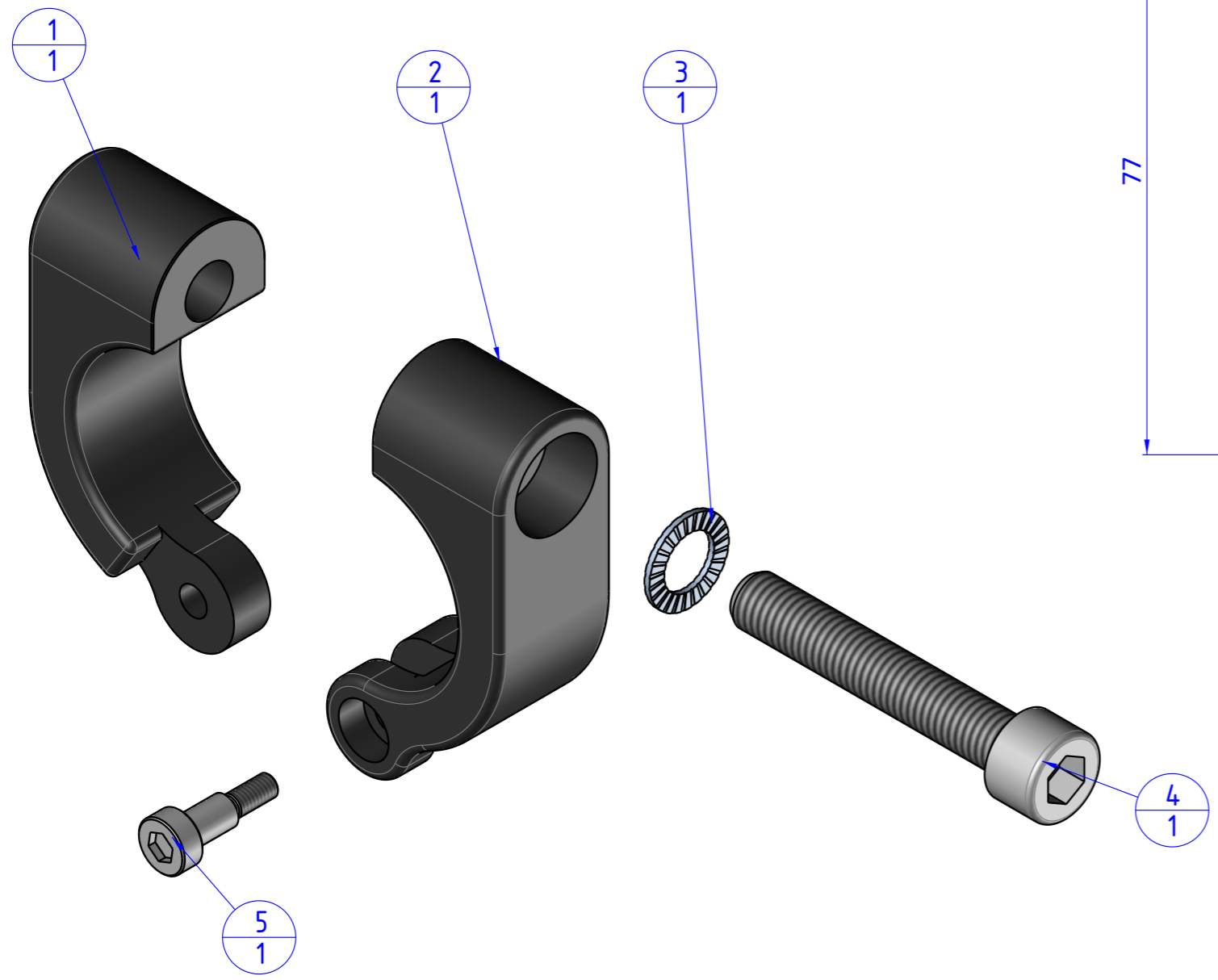



THE PROPERTY OF THE DRAWING IS ESTABLISHED BY LAW. IT IS FORBIDDEN TO PRODUCE OR SHOW IT TO THIRD PART - WITHOUT A WRITTEN AGREEMENT.

Item	Name	Q.ty
1	HAR.40.LM.01	1
2	HAR.40.LM.02	1
3	R.10.SCH	1
4	V.TCE10x60	1
5	V.UMB.06.10.M5	1



Format A3  
UNI 936-76

 <b>FPS</b> FPSERVICES AUTOMATION		DESIGNED FROM <b>FPS Automation</b>		REVIEW <b>A</b>	
		DATE <b>13/05/2022</b>	WEIGHT <b>0,194kg</b>		
GENERAL TOLERANCE UNI - ISO 2768 CLASSE f	DESCRIPTION <b>CA.HAR.40.LM</b>		CODE <b>CA.HAR.40.LM</b>		